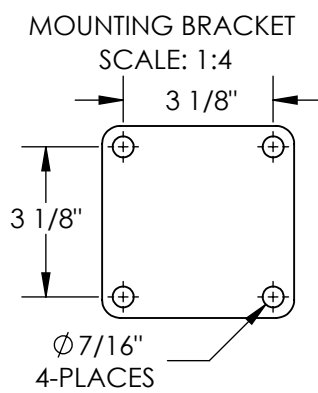
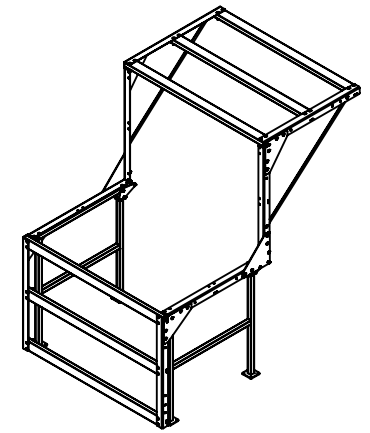
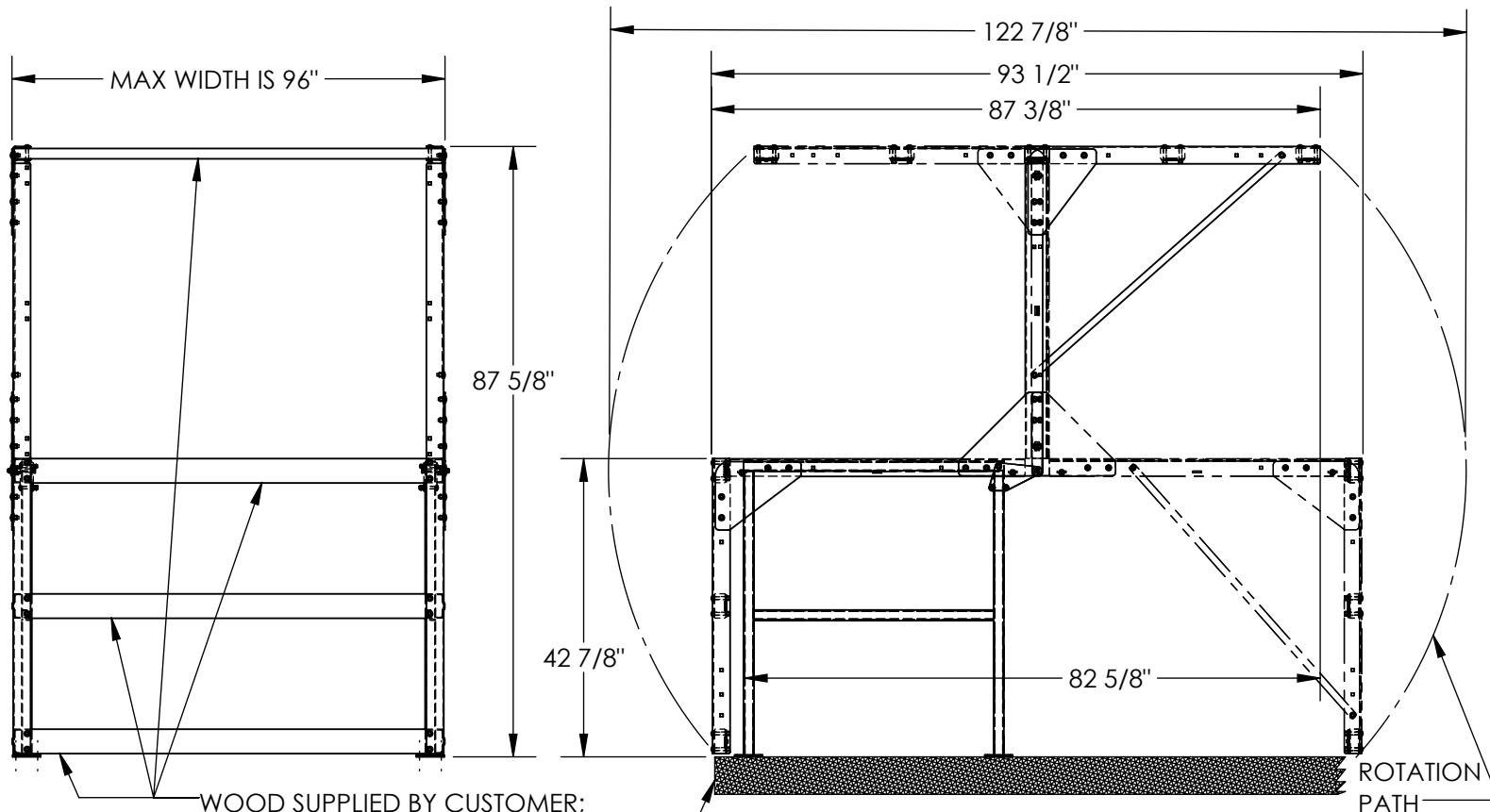


KNOCK DOWN MEZZANINE GATE: MEZZ-KD-88T-93D-A

APPROX WEIGHT: 95 lbs.
DOES NOT INCLUDE WEIGHT OF POWER OR PACKAGING!!!

*** ANY ADDITIONS, DELETIONS, OR OMISSIONS MUST BE CORRECTED ON THIS DRAWING AS THIS DRAWING WILL BE CONSIDERED ALL INCLUSIVE ***

ALL GRAPHICS PROVIDED ARE FOR REFERENCE ONLY. IF CERTAIN DIMENSIONS ARE CRITICAL PLEASE VERIFY THOSE DIMENSIONS WITH YOUR SALESPERSON



DIMENSION TOLERANCE ± 1/4"

WOOD SUPPLIED BY CUSTOMER;
MAX OVERALL WIDTH: 96"
(SHOWN FOR REFERENCE ONLY)

*NOTE: USABLE LOAD SIZE IS DEPENDENT UPON BOTH THE LOAD HEIGHT AND LOAD DEPTH, ALONG WITH THE PLACEMENT OF THE LOAD WITHIN THIS GATE; TALLER LOADS WILL HAVE TO BE SHORTER IN DEPTH, & DEEPER LOADS WILL HAVE TO BE SHORTER IN HEIGHT, IN ORDER FOR THE GATES TO CLEAR THE LOAD; WITH A TALLER & DEEPER LOAD, LOAD PLACEMENT WILL BE MORE CRITICAL, AS WELL AS LIMITED

STANDARD FEATURES

- MODEL NUMBER: MEZZ-KD-88T-93D-A
- WIDTH OF MODEL IS DETERMINED BY LENGTH OF WOODEN CROSS RAILS
- OVERALL DEPTH: 93 1/2"
- INSIDE DEPTH: 82 5/8"
- HANDRAIL HEIGHT: 42 7/8"
- OVERALL HEIGHT: 87 5/8"
- *USABLE ENVELOPE (SEE NOTE)
- ALUMINUM CONSTRUCTION ASSEMBLY REQUIRED.
- WOODEN CROSS RAILS ARE NOT INCLUDED

SPECIAL FEATURES

NONE

APPROVAL

I, THE UNDERSIGNED, AGREE THAT THE PRODUCT AS REPRESENTED SATISFIES DESIGN AND DIMENSION REQUIREMENTS. I ALSO ACKNOWLEDGE MY DUTY TO CONFIRM PRODUCT AND INSTALLATION COMPLIANCE WITH ALL APPLICABLE FEDERAL, STATE AND LOCAL REGULATIONS AND STANDARDS.

ANY MODIFIED UNITS ARE NON-RETURNABLE

[] As drawn [] As marked

Signed: _____ Date: _____

Printed Name: _____

LEAD TIME WILL START UPON RECEIPT OF SIGNED APPROVAL DRAWING

FOR INTERNAL USE ONLY PROJECT SIGN OFF	
SALES	
ENG.	
FAB.	
POWER	

DISTRIBUTOR'S NAME:		P.O.#
VESTIL MANUFACTURING		X
W.O.#		X
DRAWN BY: TJM	DATE: 06/25/2020	SALES: X
REFERENCE: X	SCALE: 1:26	FILE NAME:
QUOTED LEAD TIME: X	QUOTE # X	23-007-757